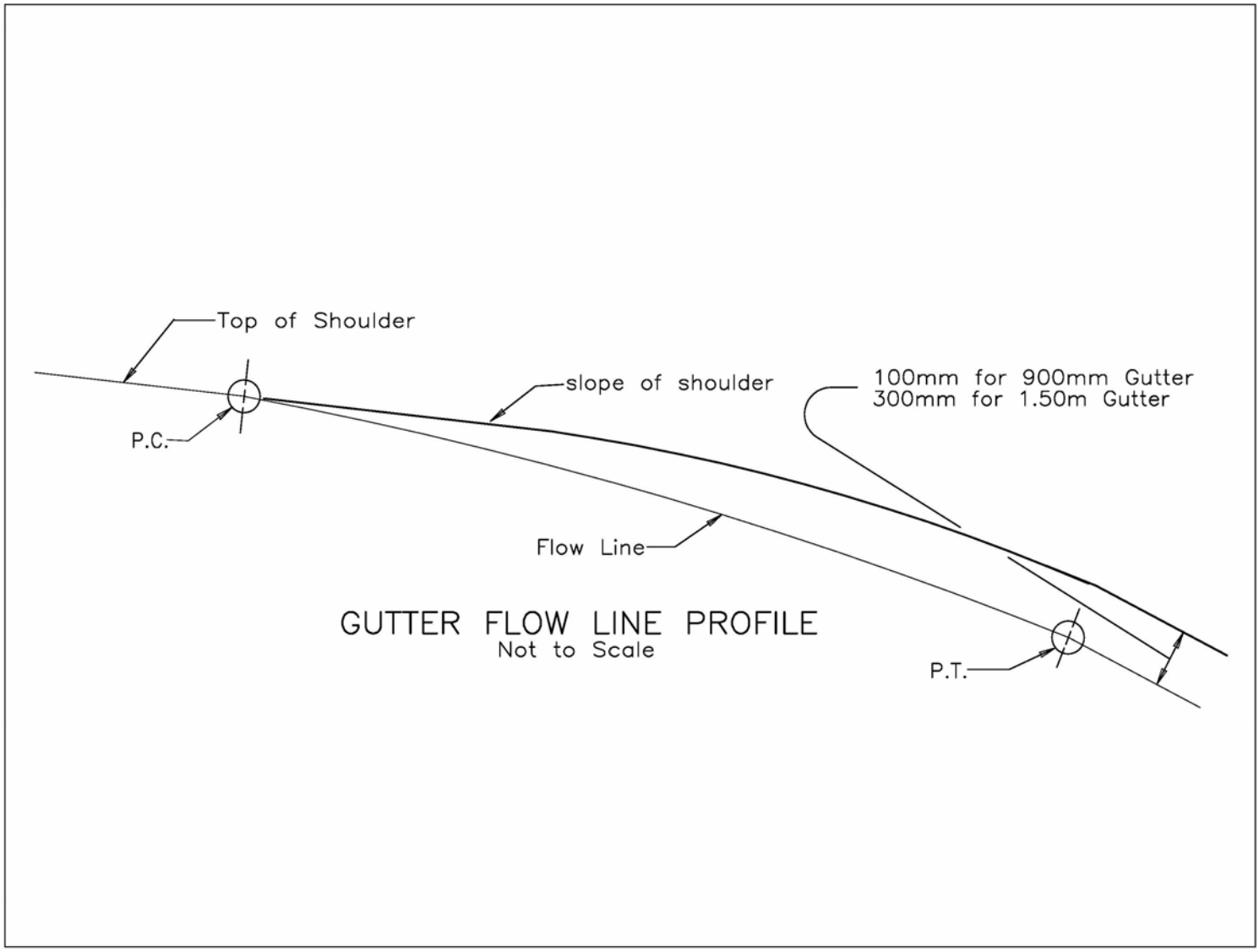


J:\ORANGEBK\METRIC\C10 DRAINAGE

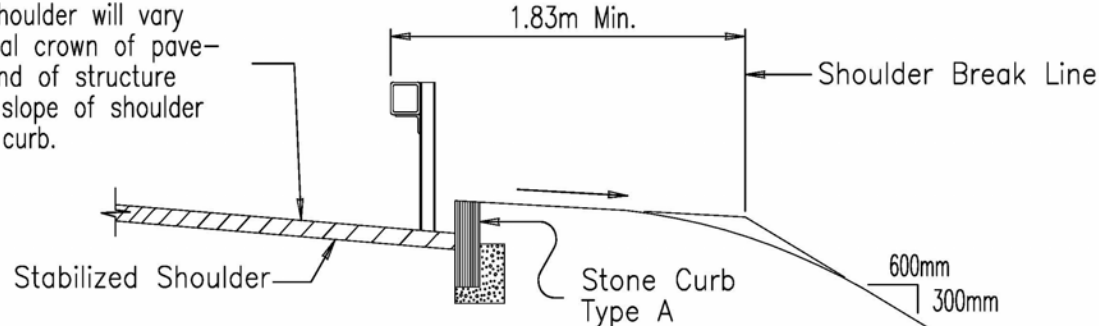
C10-1



GUTTER FLOW LINE PROFILE
Not to Scale

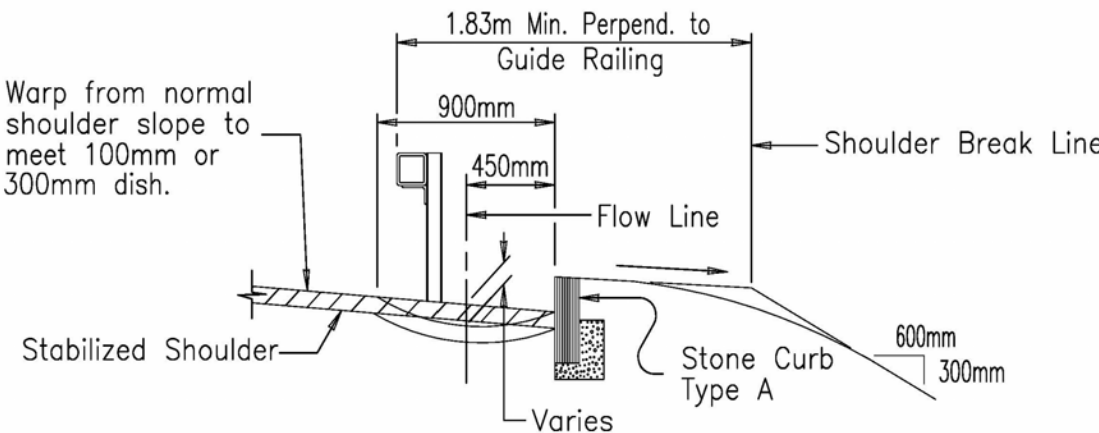
Note to Detailer:
These details to be used with current
BD Standards, "Shoulder Types I,II,III".

Slope of shoulder will vary
from normal crown of pave-
ment at end of structure
to normal slope of shoulder
at P.C. of curb.



SECTION A-A
Not to Scale

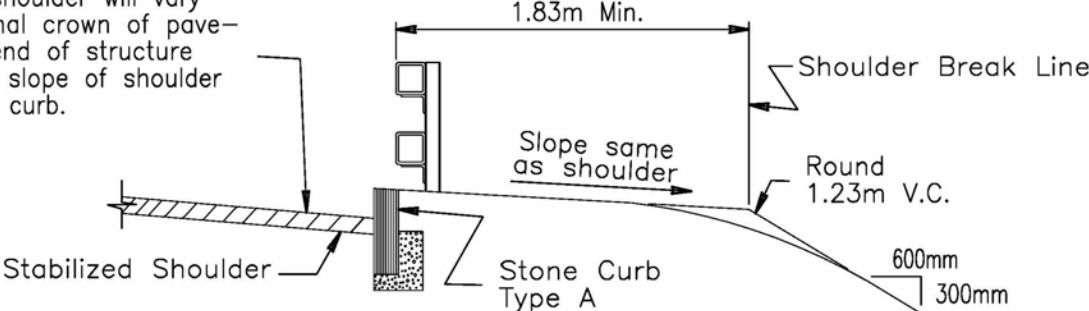
Warp from normal
shoulder slope to
meet 100mm or
300mm dish.



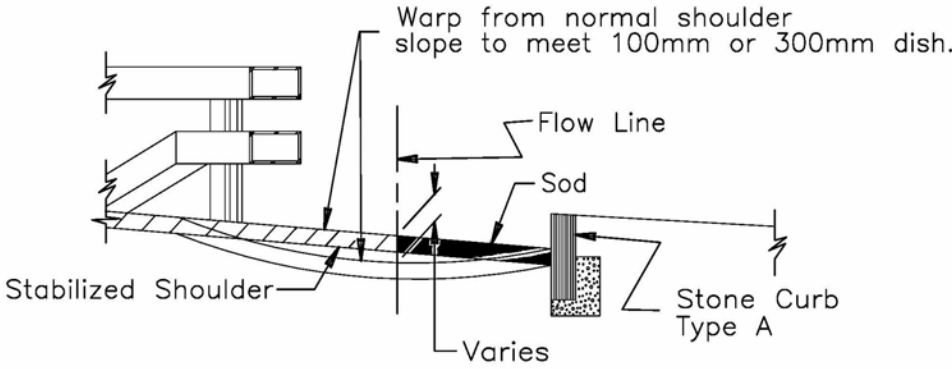
SECTION B-B
Not to Scale

Note to Detailer:
These details to be used with
current BD Standard, "Concrete
Barrier Transition To Hwy Box Beam".

Slope of shoulder will vary
from normal crown of pave-
ment at end of structure
to normal slope of shoulder
at P.C. of curb.



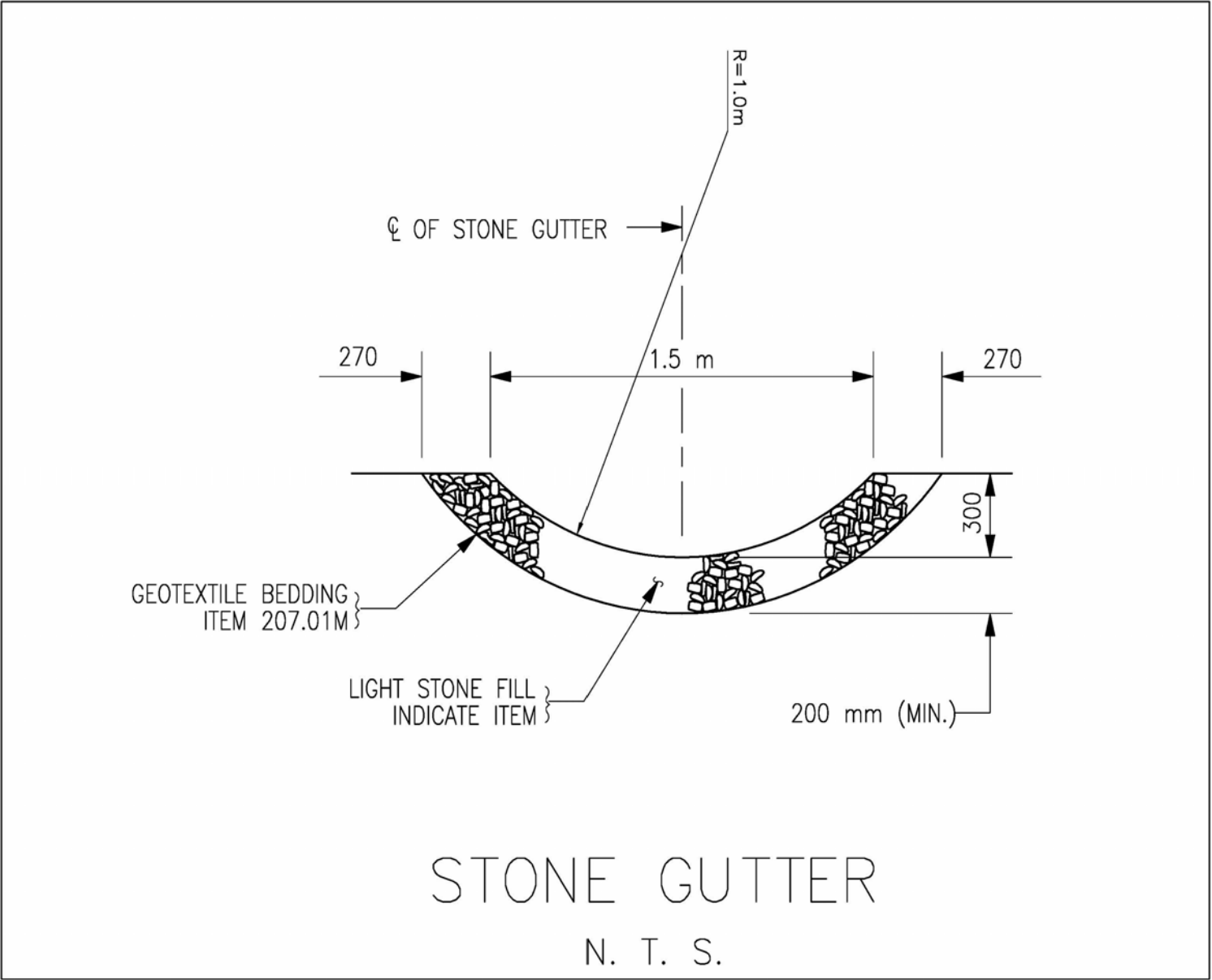
SECTION A-A
Not to Scale



SECTION B-B
Not to Scale

C10-3

C10-4



STONE GUTTER

N. T. S.

C10-5

